

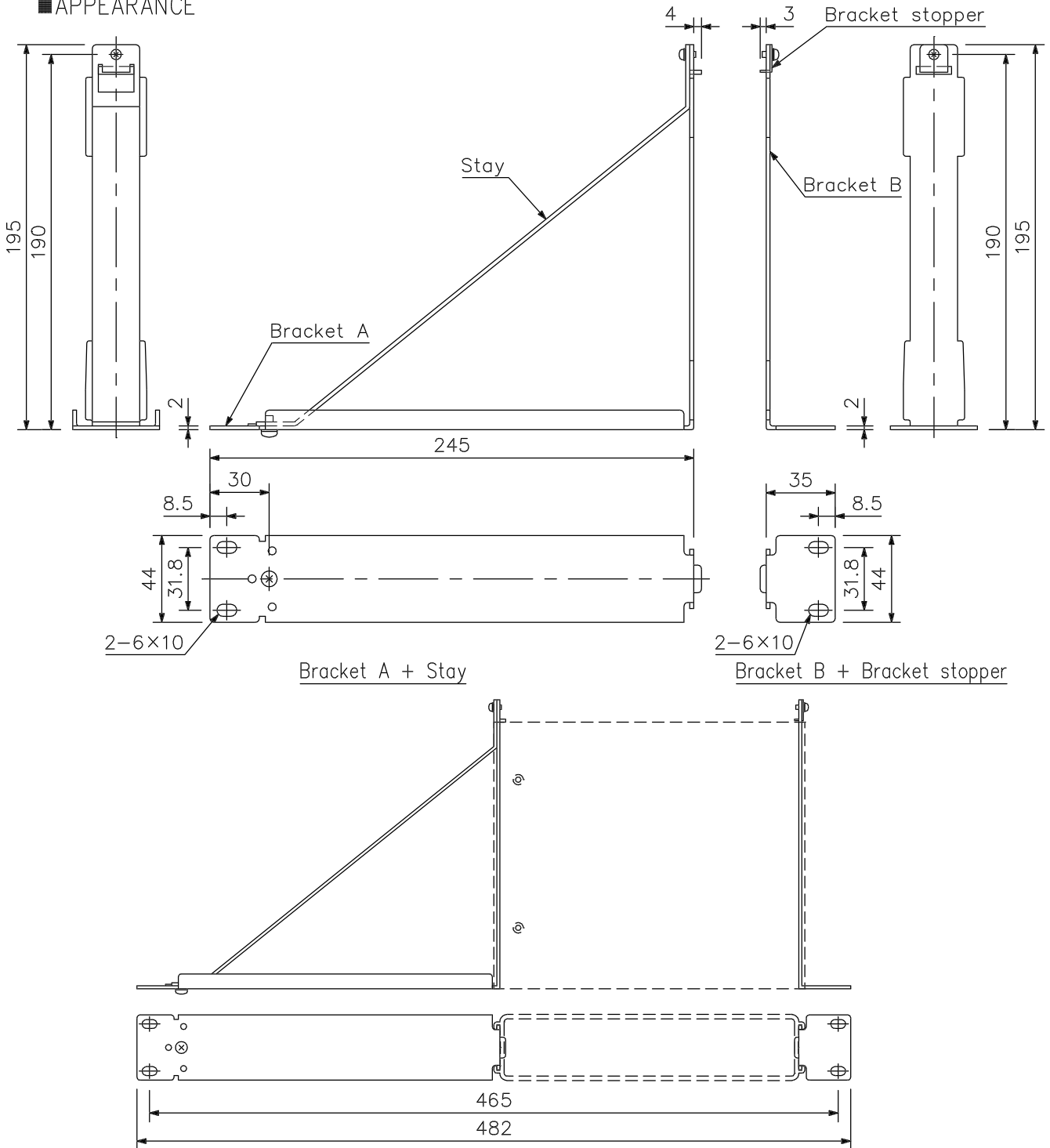
DESCRIPTION

The MB-WT3 is used to mount a one-unit size component that is 210 mm in width in an EIA Standard equipment rack.

SPECIFICATIONS

Finish	Bracket A and bracket B: Surface-treated steel plate, black, paint Stay and bracket stopper: Surface-treated steel plate, electrogalvanizing
Weight	510 g
Product Composition	Bracket A1, Bracket B1, Stay1, Bracket stopper1
Accessory	Rack mounting screw4, Fiber washer4, Stay mounting screw1 set, Stay mounting washer1 set, Bracket stopper mounting screw1, Bracket stopper mounting washer1 set

APPEARANCE



UNIT:mm SCALE:1/3

How to use joint brackets (scale: 1/4)